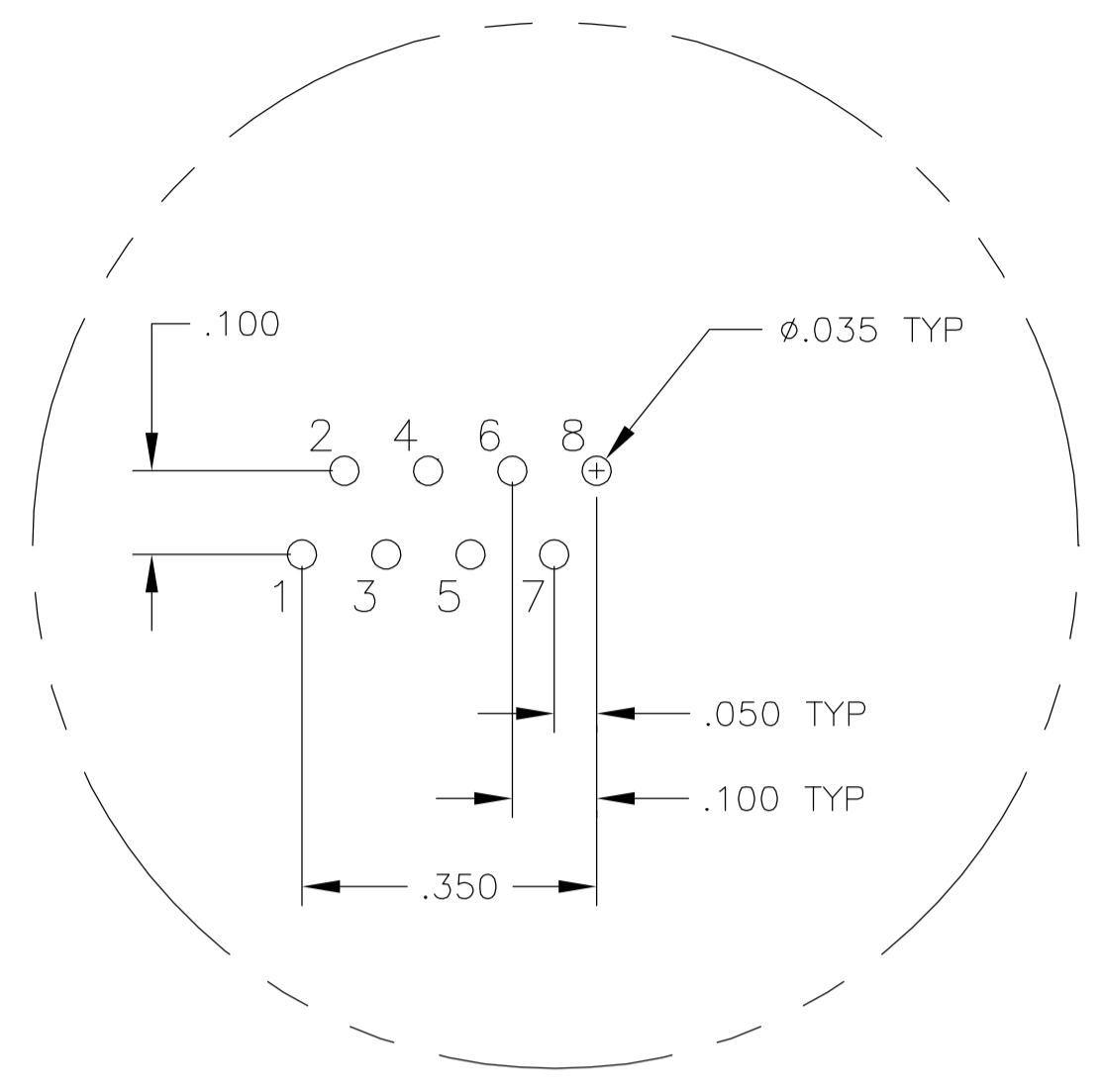
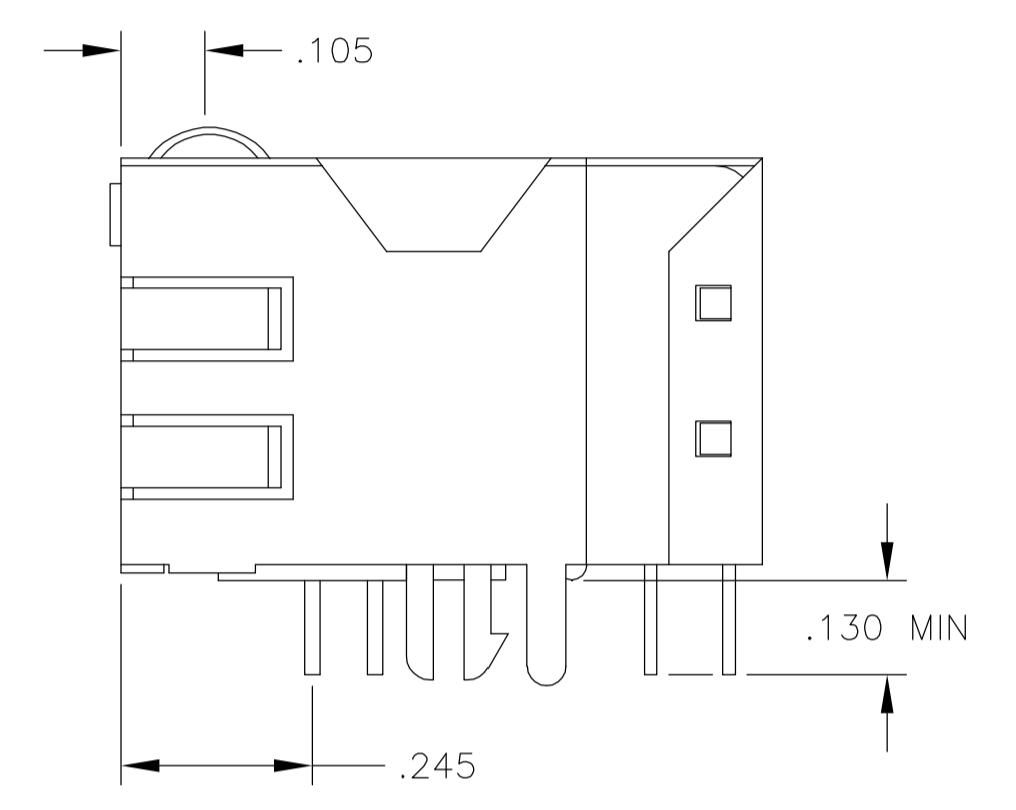
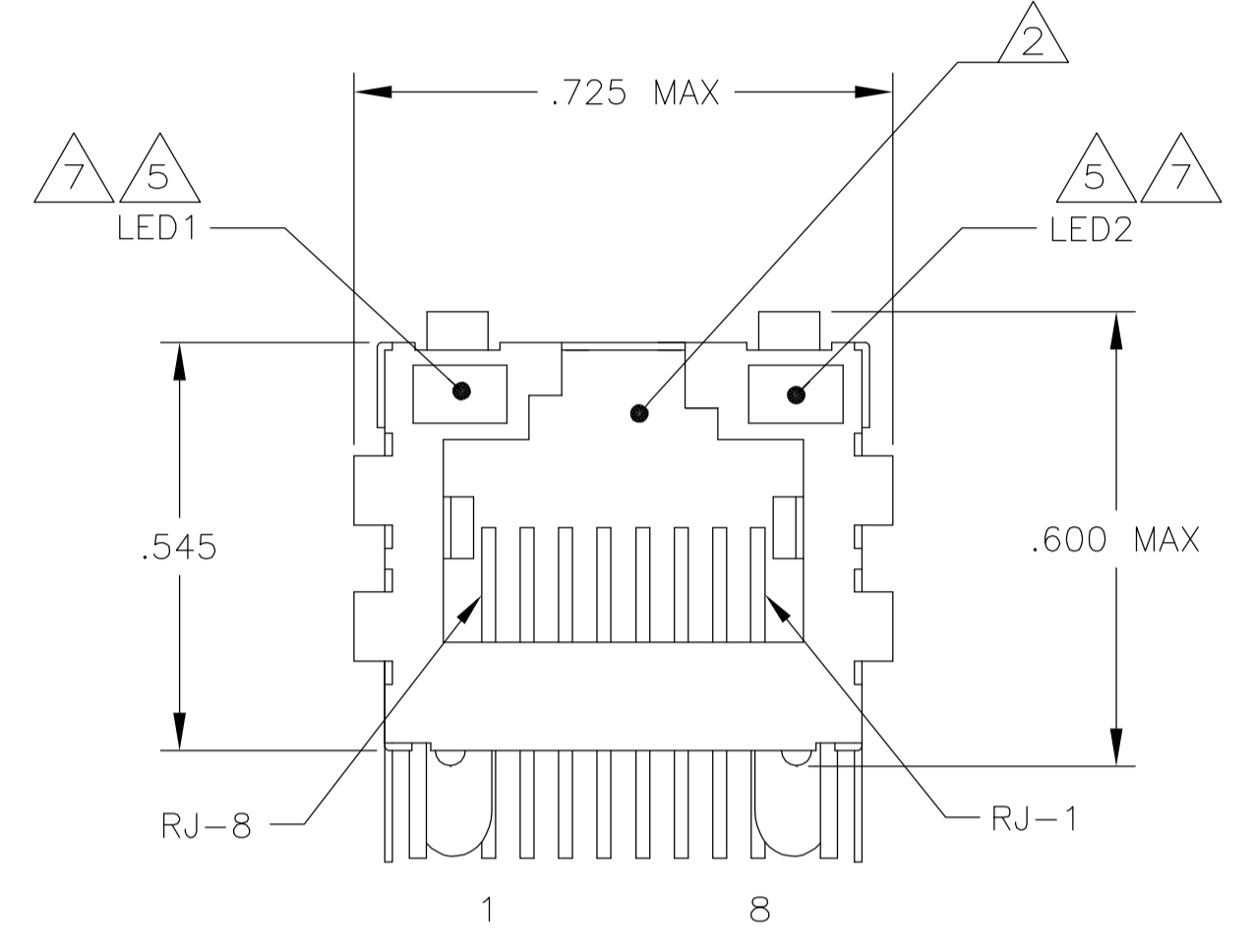
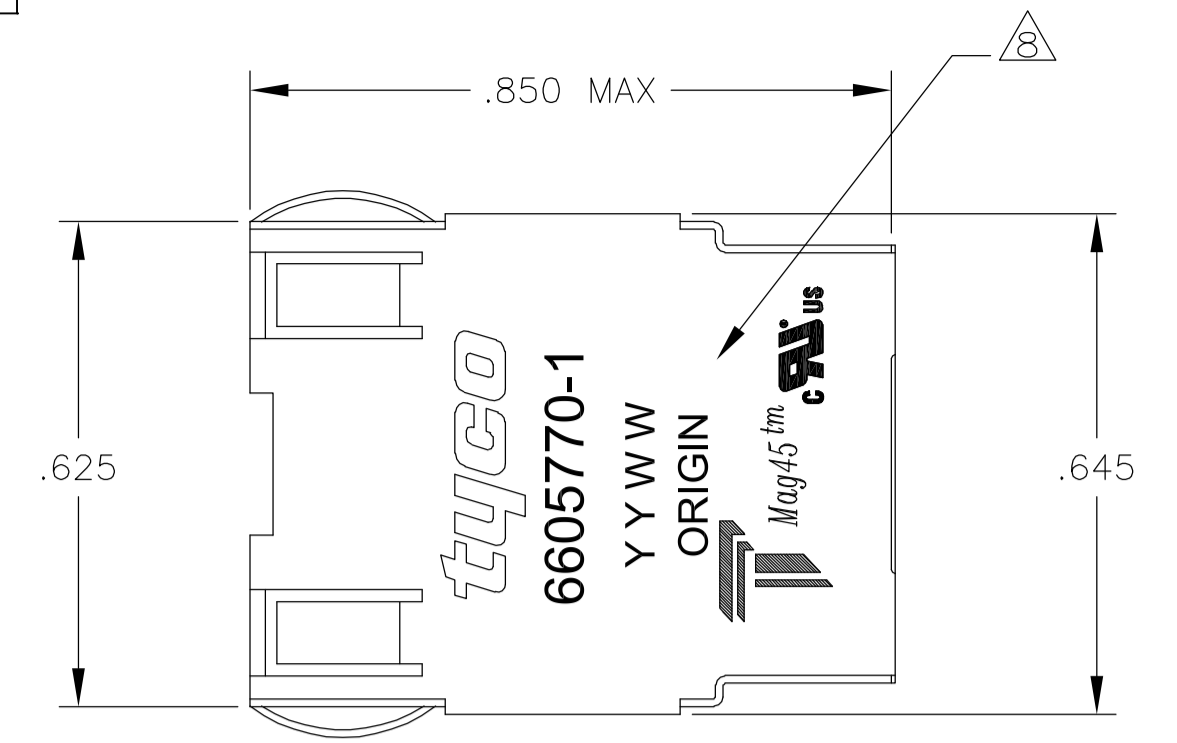


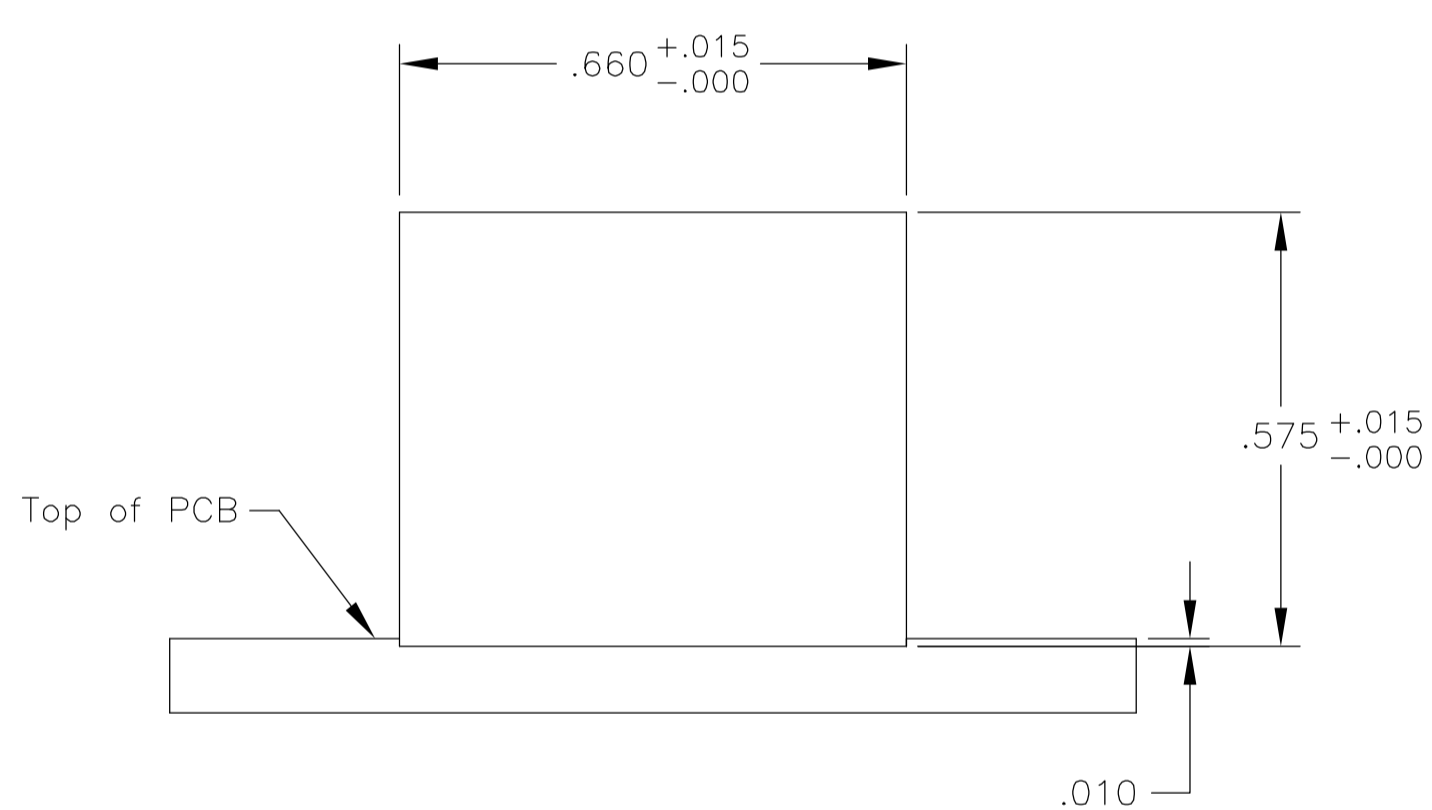
LOC	DIST	REVISIONS			
AA	22	REV	PER	EC	OS13-0644-04
		A	REV	PER	EC

MECHANICAL:



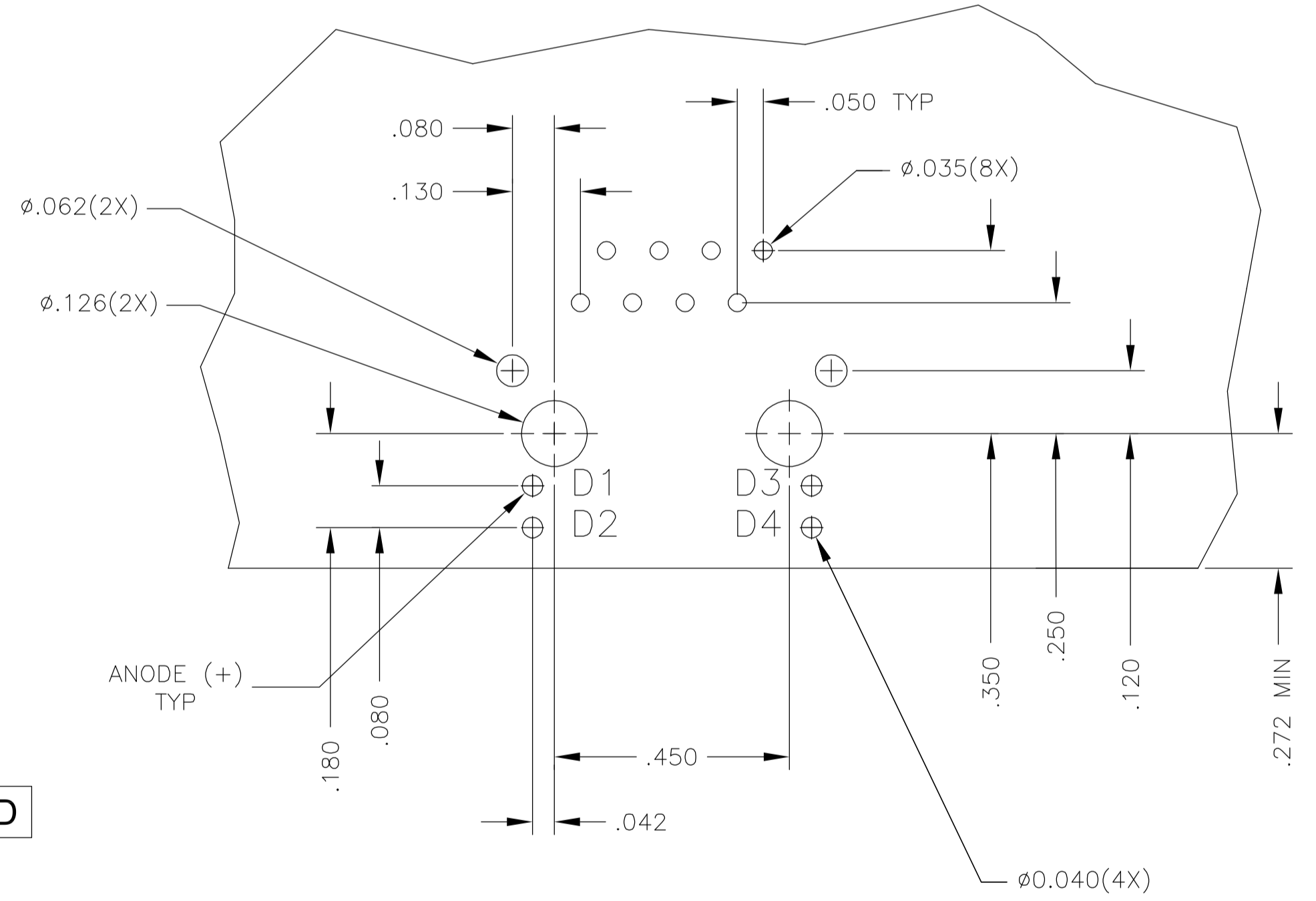
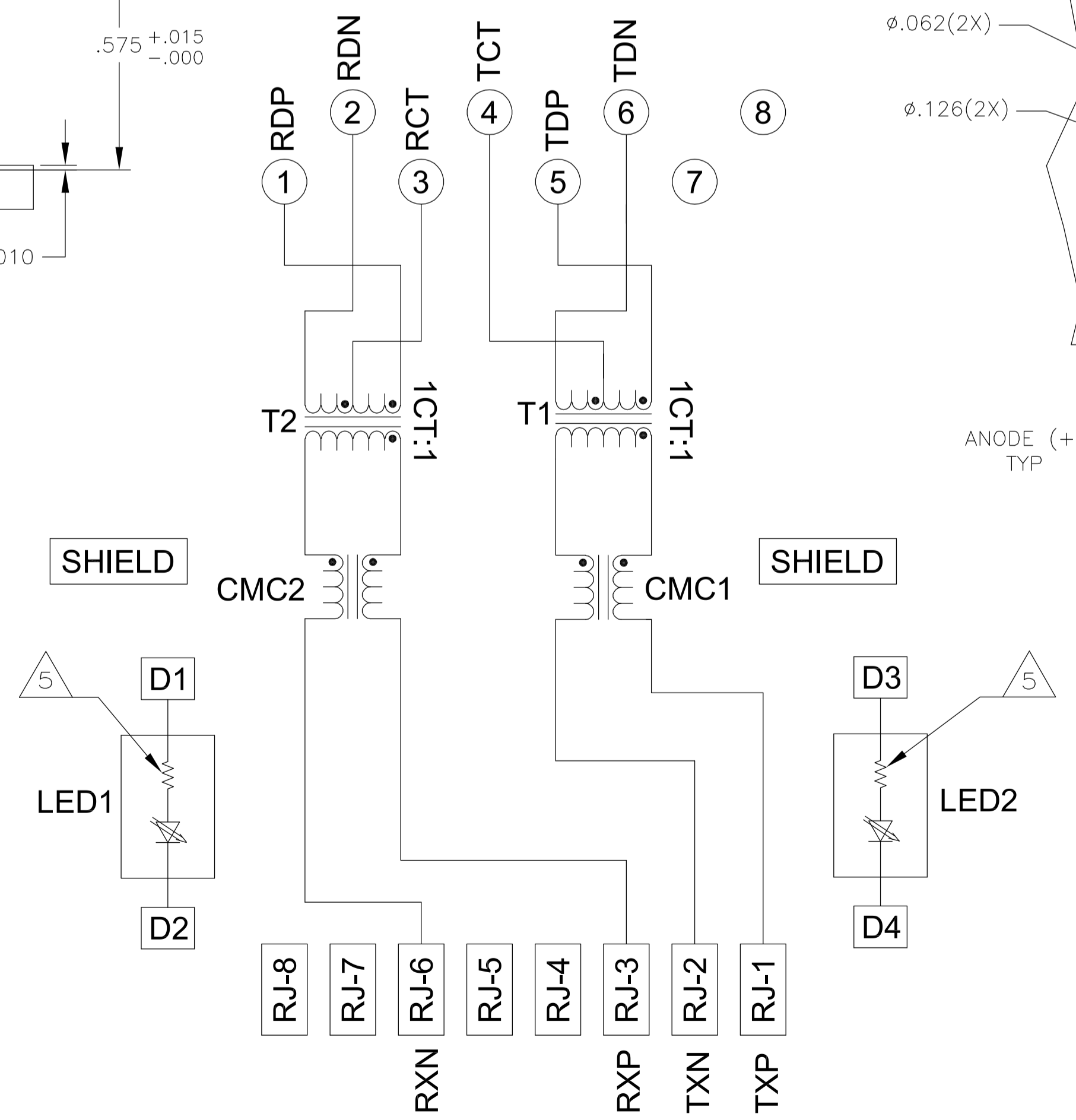
Pin Designations

- MATERIALS:**
- HOUSING - THERMOPLASTIC PET POLYESTER FLAMMABILITY RATING UL 94V-0.
 - SHIELD - .010" THICK, C26800 BRASS PREPLATED WITH 30μINCH MIN SEMI-BRIGHT NICKEL, SOLDER TABS POST DIPPED WITH 100μINCH MIN SAC SOLDER.
 - MOD JACK CONTACTS - 0.0157" x 0.018" PHOSPHOR BRONZE, 50μINCH MIN OVERALL NICKEL UNDERPLATE, WITH SELECT 50μINCH MIN HARD GOLD FINISH PLATE. SOLDER TAILS WITH 100μINCH MIN MATTE TIN AND/OR SAC SOLDER DIP.
 - LIGHT EMITTING DIODE(LED) - DIFFUSED EPOXY LENS, .020" x .020" CARBON STEEL WIREFRAME LEADS PRE-PLATED WITH 80μINCH SILVER OVER 40μINCH NICKEL UNDERPLATE OVER 40μINCH COPPER UNDERPLATE, POST-PLATED WITH 100μINCH MIN MATTE TIN AND/OR SAC SOLDER DIP OR PURE TIN SOLDER DIP.
- RJ45 JACK CAVITY CONFORMS TO FCC RULES AND REGULATIONS PART 68, SUB PART F.**
- MAGNETICS**
- APPLICATION: 10 BASE-T
 - IMPEDANCE: 100 OHMS
 - TURNS RATIO (CHIP:CABLE): TX = 1:1, RX = 1:1
 - TRANSMIT OPEN CIRCUIT INDUCTANCE (OCL): 14.0μH MIN @ 100kHz, 0.1VRMS
 - LEAKAGE INDUCTANCE (LL): 0.40μH MAX @ 100kHz, 0.1VRMS
 - INTERWINDING CAPACITANCE (CwW): 15pF MAX @ 100kHz, 0.1VRMS
 - ISOLATION VOLTAGE: COMPLIES WITH IEEE802.3 2002, PARA 15.3.4, ITEM a or b.
- 4 OPERATING TEMPERATURE: FROM 0° TO +70°C.
- LED COMPLIANT WITH IEC60825-1 SAFETY OF LASER PRODUCTS. WHEN OPERATED UP TO 20 mA. THE 250 OHM RESISTOR IS INCLUDED IN THE LEDS.
- INDICATED CONNECTIONS ARE FOR NIC CONFIGURATION.
- LED PEAK WAVELENGTH: GREEN(λ) = 565nm
YELLOW(λ) = 585nm
- TRADEMARK, PART NUMBER, DATE CODE, COUNTRY OF ORIGIN AND AGENCY APPROVAL MARKING IN APPROXIMATE LOCATION SHOWN.



Suggested Panel Cutout

729 SERIES MAGNETIC CIRCUIT



Suggested PCB Layout (Component Side)

GREEN	GREEN	1-6605770-1
GREEN	YELLOW	6605770-1
LED1	LED2	PART NUMBER

THIS DRAWING IS A CONTROLLED DOCUMENT.		DIN L VARELA - DOCKS 02MAR2005		Tyco Electronics Corporation Harrisburg, PA 17105-3608	
DIMENSIONS: INCHES		TOLERANCES UNLESS OTHERWISE SPECIFIED:		NAME: 1X1 MAG45(TM), MODULAR JACK, SHIELDED, 7N3 SCHEMATIC, 729 SERIES MAGNETIC CIRCUIT, WITH RESISTOR LEDS FOR 10BASE-T APPLICATIONS	
0 PLC ± -		1 PLC ± -		PRODUCT SPEC: 108-2100	
2 PLC ± .010		3 PLC ± .005		APPLICATION SPEC: -	
4 PLC ± -		ANGLES ± -		SIZE: A1	
MATERIAL		FINISH		WEIGHT: -	
CUSTOMER DRAWING		SCALE: NTS		SHEET: 1 OF 1	